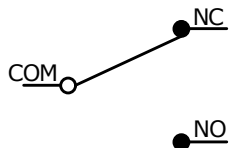


O.P. (MM)	F.P. (MM)
14.8±0.8	16.0 MAX

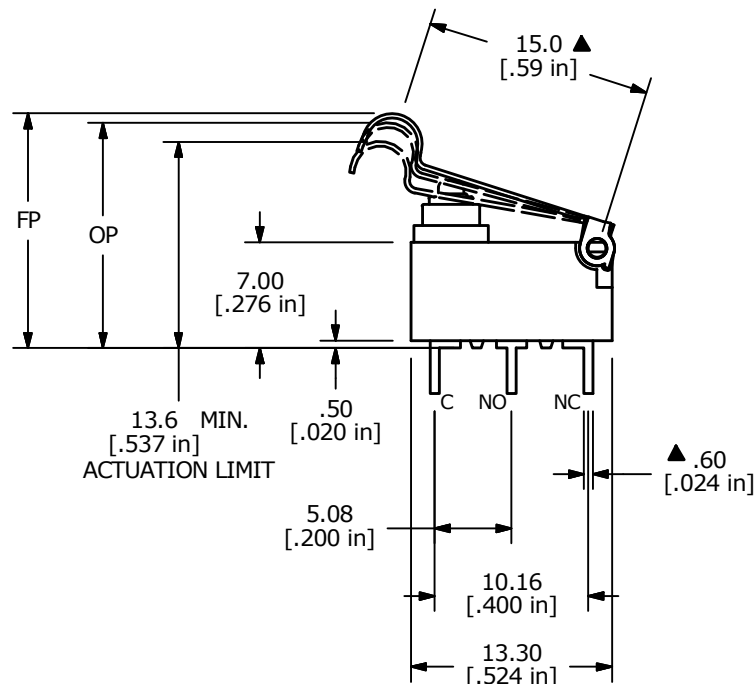
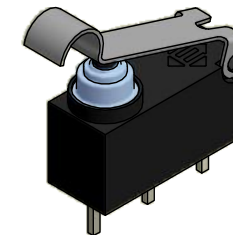
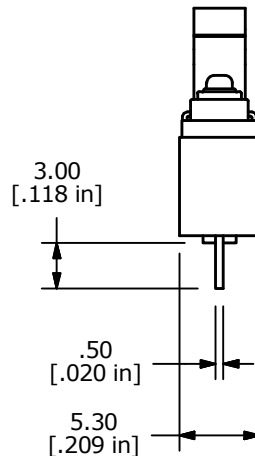
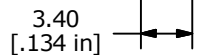
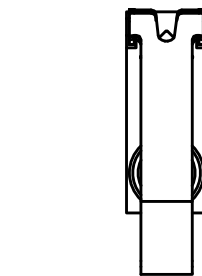
O.P. = OPERATING POINT
F.P. = FREE-POSITION



▲ CIRCUIT: SPDT

NOTES:

1. ALL DIMENSIONS IN MM [INCH]
2. GENERAL TOLERANCE: X.X = ± 0.4
X.XX = ± 0.25
3. RATING: .1A @ 125VAC; 2A @ 12VDC;
0.5A @ 42VDC; 1A @ 24VDC;
UL, CUL APPROVED
- ▲ 4. OPERATING FORCE: 70 GRAMS MAX.
5. OPERATING TEMP: -25°C to 85°C
6. ELECTRICAL LIFE: 10,000 CYCLES MIN.
7. MECHANICAL LIFE: 1,000,000 CYCLES TYP.
8. INSULATION RESISTANCE: >100 MEGA-OHMS @ 500VDC
9. DIELECTRIC STRENGTH: 600VAC
10. CONTACT RESISTANCE: 100 MILLI-OHMS MAX (INITIAL).
11. 2011/65/EC (ROHS) COMPLIANT.
12. ▲ DENOTES CRITICAL PARAMETER.



B	23345	update pin callout	5/3/18	MW
A	23213	New Release	2/12/18	rc
REV	PCR NO	DESCRIPTION	DATE	BY

E-SWITCH®				
TITLE WS0850102F070PA				
SCALE	DATE	DR	DWG	REV
2:1	2/12/2018	rc	Q930007	B